



LIFT-A-LOFT

AS228CC



VICTORY GROUND SUPPORT EQUIPMENT
(323) 581-7272 www.victorygse.com

AS228CC

AIRCRAFT BOARDING STAIRCASE

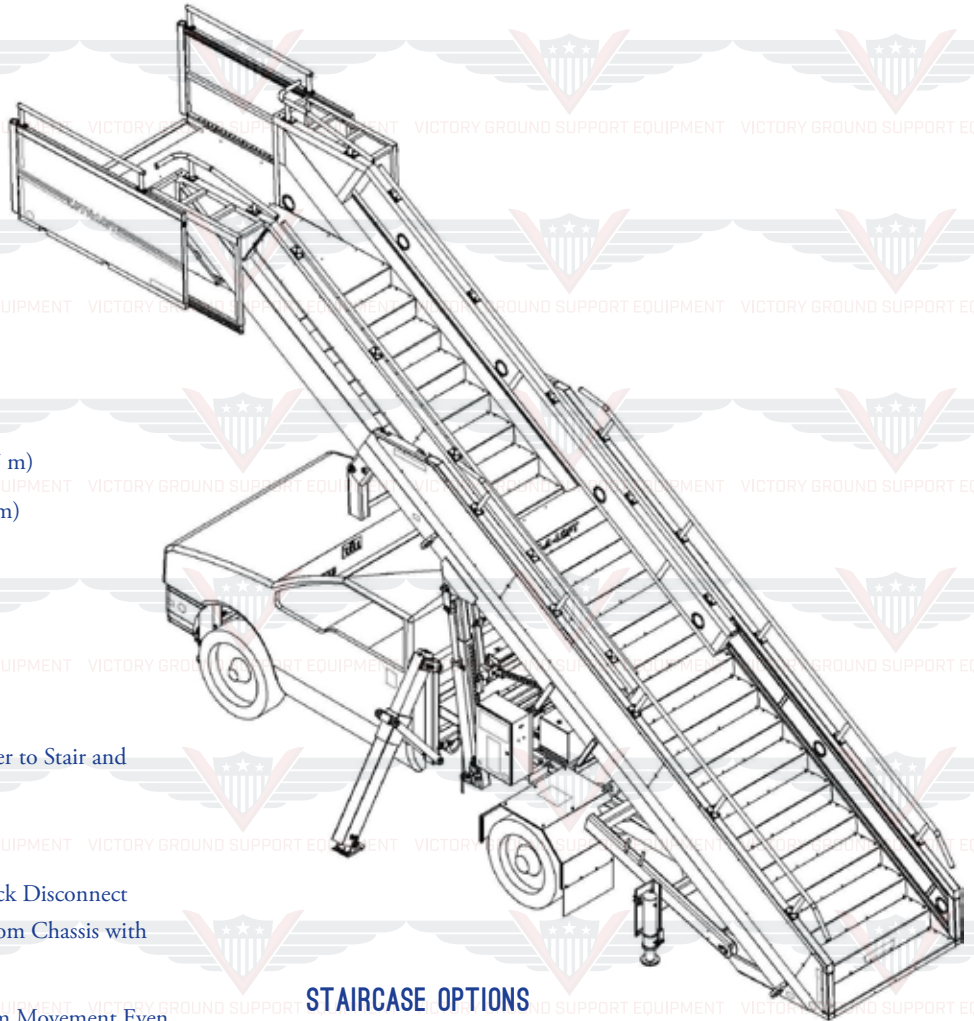
The AS228 Aircraft Boarding Staircase was Designed for the Safe and Efficient Boarding and De-boarding of Narrow and Wide Bodied Aircraft. The Staircase can be mounted on a commercial chassis or a Lift-A-Loft heavy duty APV chassis. The AS228 Services: / AIRBUS: A300, A310, A319, A320, A321, A330, & A340 / BOEING: B707, B727, B737, B747, B757, B767, B777, & MD11 / McDONALD-DOUGLAS: DC8 & DC10 / LOCKHEED: L1011

DIMENSIONS

- Overall Length – 25' 6" (7.65 m)
- Width Outriggers Retracted – 94" (2.39 m)
- Width Outriggers Extended – 175" (4.45 m)
- Wheel Base* – 11' 9" (3.58 m)
- Ground Clearance* – 6" (0.15 m)
- Travel Height – 10' 6" (3.20 m)
- Upper Platform Maximum Height – 228" (5.97 m)
- Upper Platform Minimum Height – 96" (2.44 m)

STAIRCASE FEATURES

- Platform Capacity 1000 lbs (453.6 kg)
- Each Step Capacity 250 lbs (113.4 kg)
- Engine Driven Pump Provides Hydraulic Power to Stair and Stabilization Cylinders
- Emergency Lowering from Control Panel
- Hydraulic and Electrical Connections are Quick Disconnect Allowing Easy Removal of Air Stair Assembly from Chassis with Standard Tools
- Stabilizers Provide for Minimal Upper Platform Movement Even When Fully Loaded
- Weatherproof, Recessed Lighting is Provided for all Steps and Upper Platform
- Extendable Platform Handrails at Upper Platform Fully Protect Passengers While Not Interfering with Aircraft Door Operations
- Gradeability* – 20°
- Non Slip Surface on Areas That Receive Foot Contact



STAIRCASE OPTIONS

- Cold Weather Winterization Package
- Canopy Over Staircase & Platform
- Spotlights
- High pressure water line to the platform
- Storage boxes under stairs

* Based on Ford F450.
May Vary According to
the Chassis Selected.



VICTORY GROUND SUPPORT EQUIPMENT
(323) 581-7272 www.victorygse.com