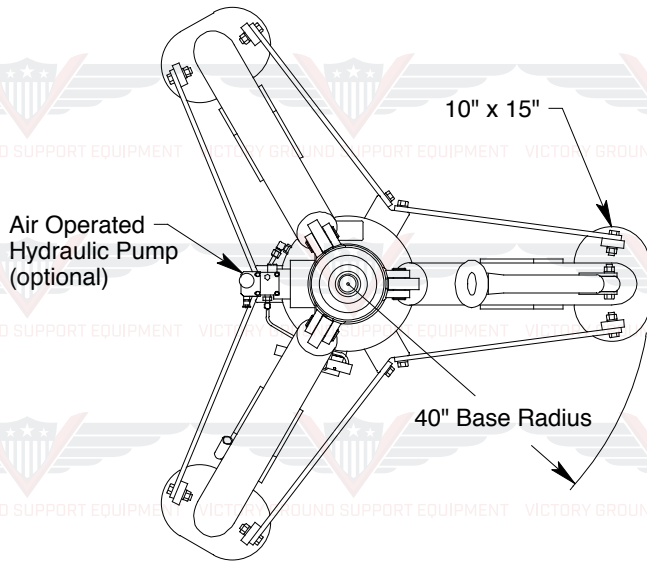


MODEL 7235A
35 TON FIXED HEIGHT TRIPOD JACK



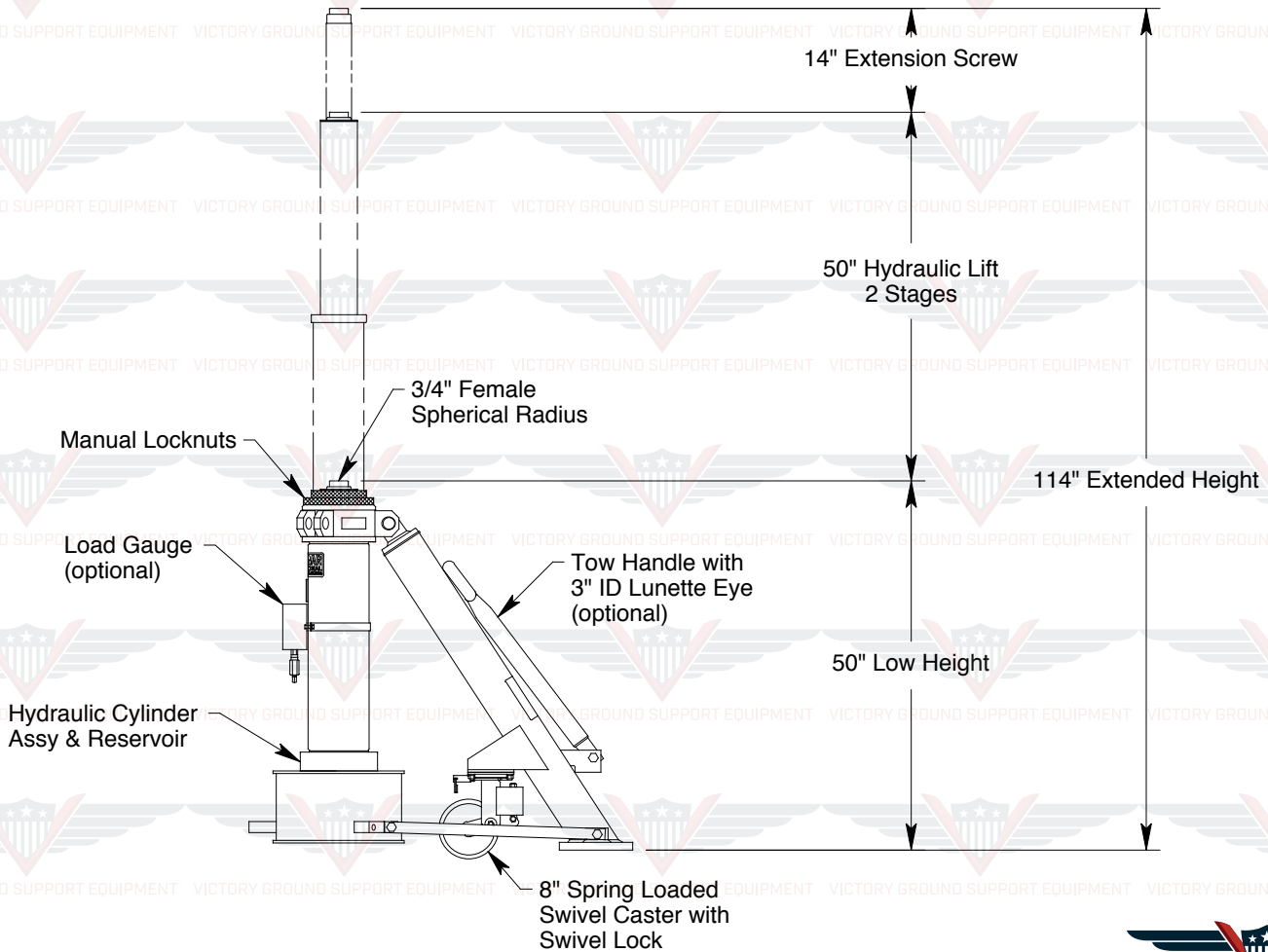
JACK INCLUDES:

- Manual Hand Pump with high, medium and low pressure operating positions
- Heavy Duty Swivel Casters
- Rain Hat (covers jack upper head)
- Hard Chrome Plated Cylinder Bore
- All unpainted parts are plated to resist corrosion
- Skydrol Resistant Paint (safety yellow)
- Factory Proof Load @ 150% of rated capacity
- 3 Year Warranty
- Shipping Skid

STANDARD OPTIONS:

- Air Operated Hydraulic Pump
- Load Gauge for load indication (reads tons/psig)
- Tow Handle for ease of towing

Model 7235A is built to withstand harsh environmental conditions, rugged use and to provide many years of continuous service. Our customers are guaranteed a quality product with each purchase and are assured of our continued product support whenever and wherever the need arises.



MODEL 7235A

35 TON FIXED HEIGHT TRIPOD JACK

SPECIFICATIONS

Rated Capacity: 35 tons (31.8 m. tons)
 Side Load: 15% of vertical load
 Roll Under Height: 51.5 inches (1308 mm)
 Low Height: 50 inches (1270 mm)
 Hydraulic Lift: 50 inches (1270 mm)
 Extension Screw: 14 inches (356 mm)
 Total Extended Height: 114 inches (2438 mm)
 Oil Pressure at Rated Capacity: 3060 psig (215 kg/sq cm)
 Safety Pop-off Valve set at: 38.5 tons (34.9 m. tons)
 Proof Load: 52.5 tons (47.6 m. tons)
 Reservoir Capacity: 8 gallons (30.3 liters)
 Hydraulic Fluid: MIL-H-5606 or equivalent
 Maximum Towing Speed: 5 mph (8 km/h)
 Approximate Jack Net Weight: 1500 lbs (680 kg)

MODEL 7235A TYPICAL AIRCRAFT APPLICATIONS

Forward Fuselage	Wing	Aft Fuselage
B727, B737, DC8	B717, B737, DC9, F28, F100, MD80, MD90	B717, B727, DC9, MD80, MD90

OPTIONAL EQUIPMENT CODES: (Specify at time of order)

AP: Air Operated Hydraulic Pump
 GA: Load Gauge
 TH: Tow Handle
 SPC: Special Paint Color (yellow is standard)
 7235APK: Repair Kit

PACKAGING CODES & OPTIONS: (Specify at time of order)

- : Domestic Skid - Jack Set-up
 KD: Domestic Skid - Jack Knocked Down (Additional Cost)
 EC: Export Crate - Jack Set-up (Additional Cost)
 ECKD: Export Crate - Jack Knocked Down (Additional Cost)

SHIPPING DATA

NOTE: Unless otherwise specified, Model 7235A jack is shipped on a wood skid in the set-up condition. Refer to Malabar Tripod Jack Shipping Supplement for additional packaging information.

Packaging Code	Length inch (mm)	Width inch (mm)	Height inch (mm)	Weight lbs (kg)
-	77 (1956)	66 (1676)	58 (1473)	1750 (794)
KD	78 (1981)	40 (1016)	44 (1118)	1750 (794)
EC	79 (2007)	71 (1803)	61 (1549)	2000 (907)
ECKD	80 (2032)	45 (1143)	47 (1194)	1900 (862)



VICTORY GROUND SUPPORT EQUIPMENT
 (323) 581-7272 www.victorygse.com

MALABAR International

Issue: 1/00

PLANT: 220 WEST LOS ANGELES AVENUE, SIMI VALLEY, CALIFORNIA 93065 • (805) 581-0116 • FAX (805) 584-1624
 MAIL: P.O. BOX 367, SIMI VALLEY, CALIFORNIA 93062 • E-mail: sales@malabar.com • Web site: http://www.malabar.com