

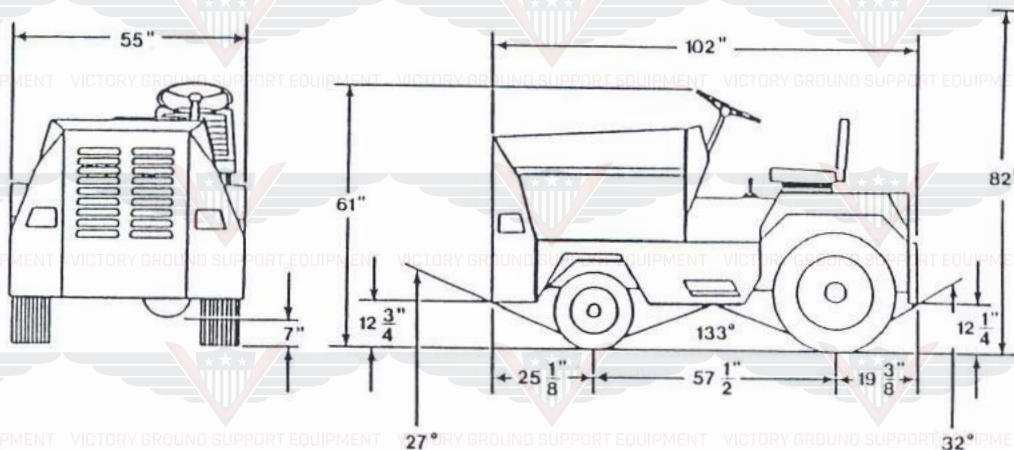
EQUI TECH

MINI BRUTE Model M-30, M-40, M-50 & M-60

CHAPTER 1

GENERAL INFORMATION AND OPERATING INSTRUCTIONS

SECTION 3 SPECIFICATIONS AND CAPABILITIES



1. General

Type of Vehicle	Towing Tractor, Mini Brute
Gross Vehicle Weight:	
Class I	4,370 lbs.
Class II	5,200 lbs.
Class III	6,400 lbs.
Class IV	7,240 lbs.
Drawbar Pull:	
Class I	3,000 lbs.
Class II	4,000 lbs.
Class III	5,000 lbs.
Class IV	6,000 lbs.
Length Less Couplers	102.00 in.
Wheelbase	57.50 in.
Width	55.00 in.
Height w/o Cab	61.00 in.
Height w/Cab	82.00 in.
Ground Clearance	Diff. 7.00 in.
Turning Radius	115.00 in.
Top Governed Speed Forward	15 M.P.H.
Top Governed Speed Reverse	6.0 M.P.H.



EQUI TECH

MINI BRUTE Model M-30, M-40, M-50 & M-60

2. Front Axle

MakeRockwell
TypeSteer Axle
ModelFAE-951 NX32

3. Rear Axle

MakeRockwell
TypeDrive Axle
ModelTA 267 HB 100
Ratio:
Differential5.67:1
Gear Box3.00:1
Oil Capacity14 pints

4. Wheels and Tires

Wheels, RearFirestone
Tires, RearGoodyear
Size6.50 x 16 LT ply 6
Air Pressure55 psi
Wheels, FrontIndustrial Tire
Tires, FrontIndustrial Tire
Size6.90 X 9 Load Range C
Air Pressure100 psi

5. Engine

MakeFORD CID 300 Gasoline
Bore and Stroke4.00 in x 3.98 in.
No. of Cylinders6
Maximum BHP124 BHP @ 3600 RPM
Maximum Torque241 lbs. ft. @ 2000 RPM
Displacement300 cu. in.
Firing Order1-5-3-6-2-4
Oil Capacity6 quarts (add 1 qt. for filter change)

6. Fuel System

TypeGasoline
Fuel Tanks1
Fuel Tank Capacity17 gallons

7. Cooling System

Capacity22 quarts
Radiator Core:
MakeEskimo
TypeTube and Fine



EQUI TECH

MINI BRUTE Model M-30, M-40, M-50 & M-60

8. Transmission

MakeFord
 ModelC-6 Automatic
 No. Speeds3 Forward, 1 Reverse
 Ratios:
 Forward 1st2.46:1
 Forward 2nd1.46:1
 Forward 3rd1.00:1
 Reverse 1st2.18:1
 Oil Capacity12 quarts

9. Torque Converter

MakeFord
 Ratio (stall)1.87:1

10. Drive Lines

MakeSpicer
 TypeMechanics

11. Steering System

Type2 Wheel Steer
 Steering Gear BoxSaginaw
 Part No.781-9934
 Steering WheelWest American Rubber
 Steering ColumnSaginaw

12. Brake System

Master CylinderBendix
 BoosterBendix
 Brake, RearEQUI TECH
 TypeDisc

13. Electrical System

BatteryApex
 Model2436
 No. Required1
 Voltage12v
 GroundNegative
 AlternatorMotorola
 Starter MotorMotorcraft
 Fan Belt Tension1/2 in. (New 140, Used 110)

